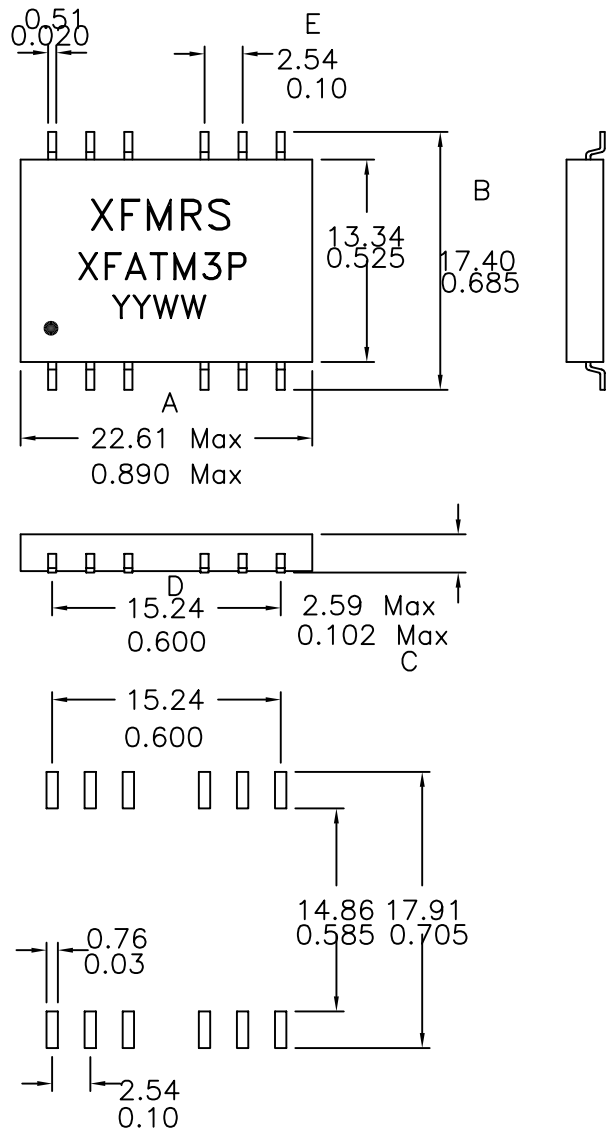
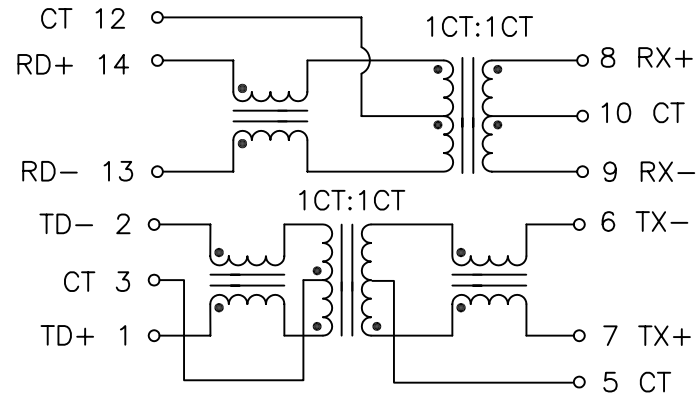


1. Dimensions:



SUGGESTED FOOTPRINT

2. Schematic:



3. Electrical Specifications: @25°C

HIPOT: 1500VAC

OCL: P9-8,P7-6 350uH Min. @100KHz 0.1V 8mADC

Turns Ratio (1-3-2):(7-6) = 1CT:1±3%

Turns Ratio (13-12-14):(9-10-8) = 1CT:1CT±3%

Insertion Loss: 300KHz-100MHz 1.0dB Max.

Insertion loss: 100-125MHz 1.5dB Max

Return Loss: 300KHz-100MHz 12dB Typ.

Rise Time (10-90%): 4.0ns Typ (For Reference Only)

Differential to Common Mode Rejection: (For reference Only)

-42dB(TX) / 40dB(RX) Min @0.1MHz - 60MHz

-40dB(TX) / 35dB(RX) Min @60 - 100MHz

Crosstalk: (For reference Only) -40dB Max @0.1 - 60MHz

-38dB Max @60 - 100MHz

XFMRS Inc

Title:

10/100BASE-TX Filter Modules

UNLESS OTHERWISE SPECIFIED

P/N: XFATM3P

REV. C

TOLERANCES:

DWN.

李清儿

Mar-18-04

.xxx ±0.010 Inch

CHK.

孙小怡

Mar-18-04

Dimensions in Inch/mm

APP.

MS

Mar-18-04

DOC. REV: C/3